

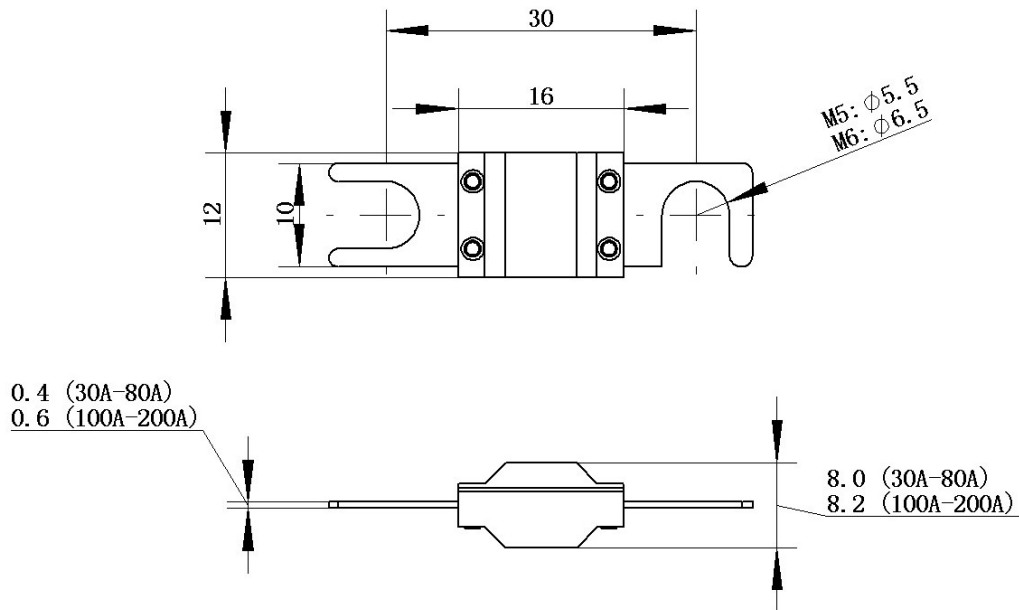
WCPF-30 series (Rev: D)

HIGH CURRENT FUSE

Features

- 1 Mohm open state resistance at 100V
- High tightening torque resistance
- 30 mm pitch prevents mistaken replacement with other types of high-current fuses

Product Dimensions and Recommended Land Pattern (mm)



Product Dimensions

Note: Dimensions in mm. Please refer to the outline drawing for dimensions and tolerances.

Electrical Characteristics

Part number	Current Rating	Voltage Rating	Nominal Cold DCR	Nominal I^2t
	A		m Ω	A ² s
WCPF0030A-30	30	58 VDC	2.70	5100
WCPF0040A-30	40		1.56	6800
WCPF0050A-30	50		1.03	6900
WCPF0060A-30	60		0.75	16200
WCPF0070A-30	70		0.64	22000
WCPF0080A-30	80		0.55	25600
WCPF0100A-30	100		0.44	42500
WCPF0125A-30	125		0.34	62500
WCPF0150A-30	150		0.29	83400
WCPF0200A-30	200		0.24	126000

Note: The typical I^2t is an average value calculated from the breaking capacity tests by using the melting time before the arcing occurs.

Clear-Time Characteristics (Fast Acting)

30A-80A

% of current rating	Clear-time at 25°C	
100%	360000 sec (min)	-
110%	14400 sec (min)	-
150%	90 sec (min)	3600 sec (max)
200%	3 sec (min)	100 sec (max)
300%	0.3 sec (min)	3 sec (max)
500%	0.1 sec (min)	1 sec (max)

100A-200A

% of current rating	Clear-time at 25°C	
75%	360000 sec (min)	-
200%	1 sec (min)	15 sec (max)
350%	0.3 sec (min)	5 sec (max)
600%	0.1 sec (min)	1 sec (max)

Note: Current recommendation may be impacted by the final condition of the application (terminals characteristics, wire size etc..).

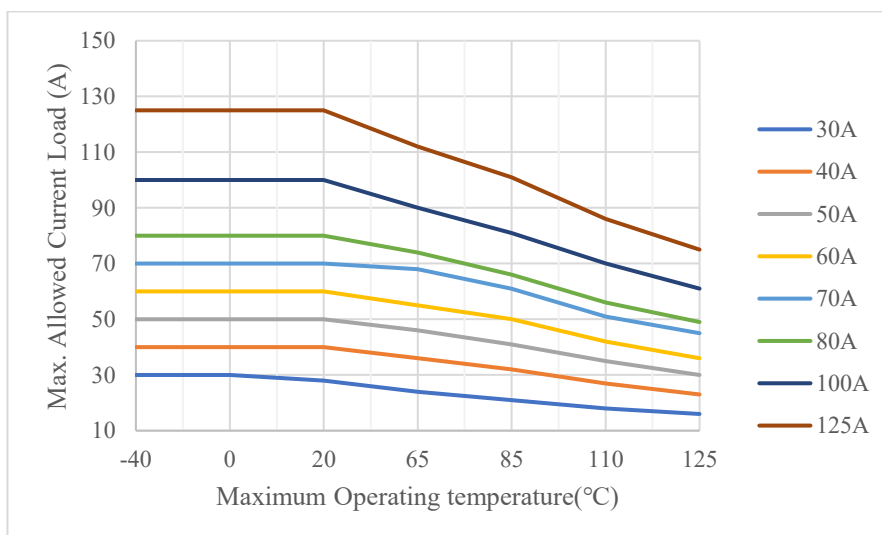
Part Numbering

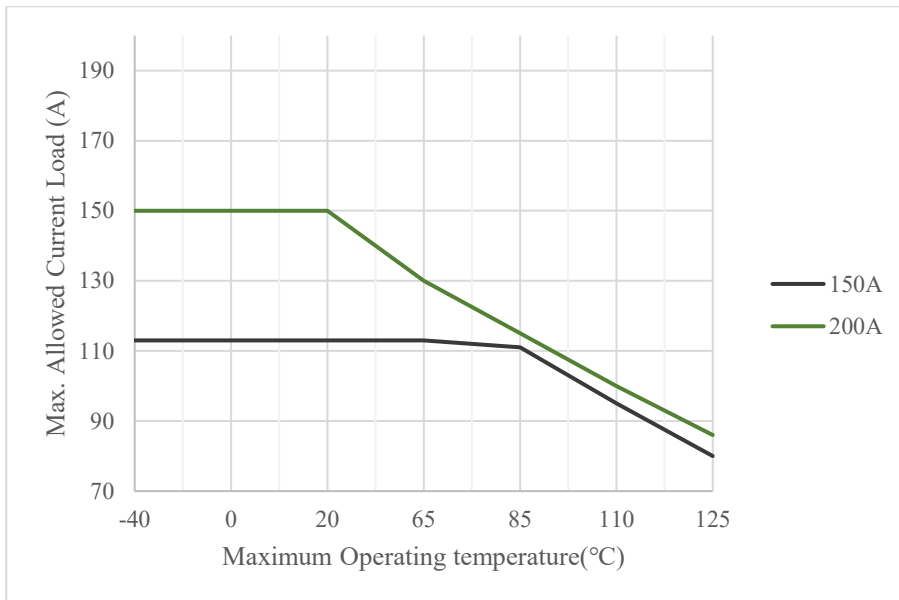
WC PF 0200A - 30

(1) (2) (3) (4)

- (1) Company code: Wayon Chip Fuse
- (2) Action code: F-Fast Acting, S-Slow Blow
- (3) Current rating code: 0200A-200 A
- (4) Pitch of screw holes: 30mm

Temperature De-rating Guideline

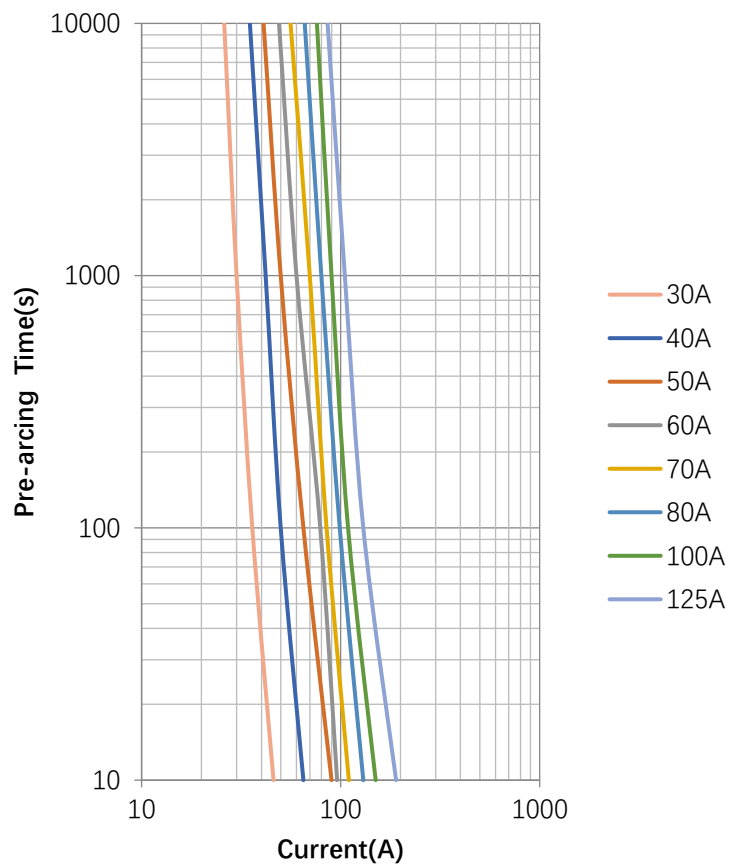


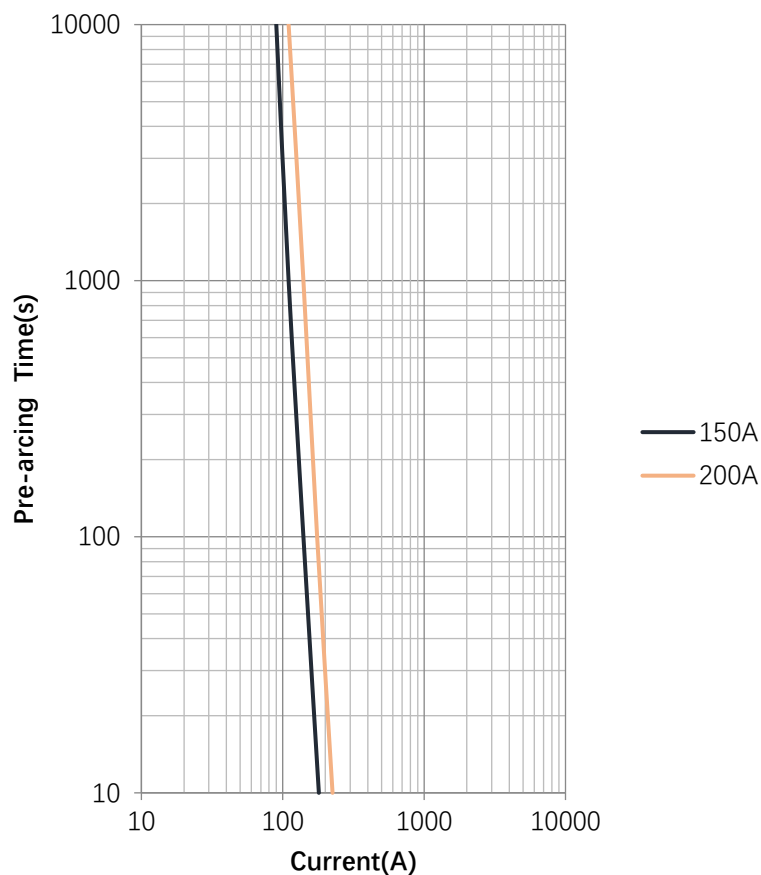


Note: Current recommendation may be impacted by the final condition of the application (terminals characteristics, wire size etc..).

Curves

Average Clear-Time Curves





Note: Current recommendation may be impacted by the final condition of the application (terminals characteristics, wire size etc..).

■ Packaging and Storage:

Storage condition:

Temperature 25, humidity 35%-65%.

Packaging Data

Minimum package for: 165 PCS.

■ Cautions and warnings:

1、Mounting

- Electrode must not be scratched before/during/after the mounting process.
- Contacts and housings used for assembly with fuses have to be clean before mounting.
- During operation, the fuse's surface temperature can be very high (ICL). Ensure that adjacent components are placed at a sufficient distance from the fuse to allow for proper cooling of the fuses.
- Ensure that adjacent materials are designed for operation at temperatures comparable to the surface temperature of the fuse. Be sure that surrounding parts and materials can withstand this temperature.
- Avoid contamination of fuse surface during processing.

2、Operation

- Use fuses only within the specified operating temperature range.
- Environmental conditions must not harm the fuses. Use fuses only in normal atmospheric conditions.
- Contact of chip fuses with any liquids and solvents should be prevented. It must be ensured that no water enters the chip fuse (e.g. through plug terminals). For measurement purposes (checking the specified resistance vs. temperature), the component must not be immersed in water but in suitable liquids (e.g. Galden).
- Avoid dewing and condensation.

■ Notice:

Specifications of the products displayed herein are subject to change without notice. We assume no responsibility or liability for any errors or inaccuracies.

Information contained herein is intended to provide a product description only. No license, express or implied, by estoppel or otherwise, to any intellectual property rights is granted by this document. Except as provided in Wayon's terms and conditions of sale for such products, Wayon assumes no liability whatsoever, and disclaims any express or implied warranty, relating to sale and/or use of Wayon products including liability or warranties relating to fitness for a particular purpose, merchantability, or infringement of any patent, copyright, or other intellectual property right.