

N-channel 250V 21mΩ Power MOSFET

Description

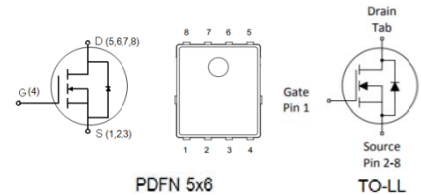
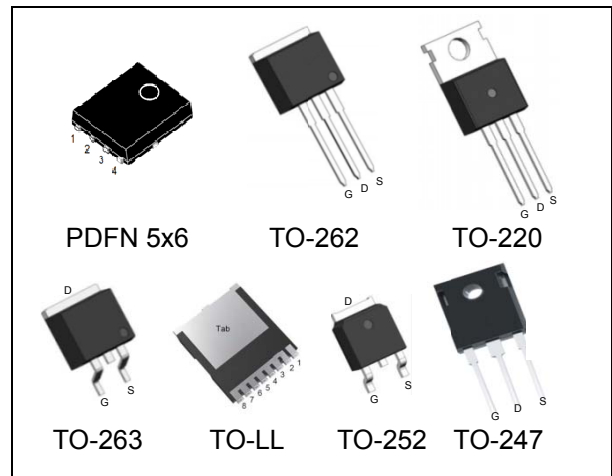
WMOS™ JN is suitable for applications which require superior power density and outstanding efficiency.

Features

- Gate charge minimized
- Typ. $R_{DS(on)} = 21m\Omega$
- 100% UIS tested
- Pb-free plating, Halogen free

Applications

Switching applications



Absolute Maximum Ratings

Parameter	Symbol	WMK/WMM/WMN/WMJ/WMLL/WMB/WMO	Unit
Drain-source voltage	V_{DSS}	250	V
Continuous drain current ¹⁾ ($T_C = 25^\circ C$)	I_D	43	A
($T_C = 100^\circ C$)		20	A
Pulsed drain current ²⁾	I_{DM}	150	A
Gate-source voltage	V_{GS}	± 20	V
Avalanche energy, single pulse ³⁾	E_{AS}	130	mJ
Avalanche energy, repetitive ²⁾	E_{AR}	0.1	mJ
Avalanche current, repetitive ²⁾	I_{AR}	2	A
Power dissipation ($T_C = 25^\circ C$)	P_D	86	W
- Derate above $25^\circ C$		0.69	W/°C
Operating and storage temperature range	T_i, T_{stg}	-55 to +150	°C
Continuous diode forward current	I_S	43	A
Diode pulse current	$I_{S,pulse}$	150	A

Thermal Characteristics

Parameter	Symbol	WMK/WMM/WMN/WMJ/WMLL/WMB/WMO	Unit
Thermal resistance, junction-to-case	$R_{\theta JC}$	1.35	°C/W
Thermal resistance, junction-to-ambient	$R_{\theta JA}$	62	°C/W

Electrical Characteristics $T_c = 25^\circ\text{C}$, unless otherwise noted

Parameter	Symbol	Test Condition	Min.	Typ.	Max.	Unit
Static characteristics						
Drain-source breakdown voltage	BV_{DSS}	$V_{GS}=0\text{ V}, I_D=1\text{ mA}$	250	-	-	V
Gate threshold voltage	$V_{GS(th)}$	$V_{DS}=V_{GS}, I_D=0.25\text{mA}$	2.2	3.2	4.2	V
Drain cut-off current	I_{DSS}	$V_{DS}=250\text{ V}, V_{GS}=0\text{V},$ $T_j = 25^\circ\text{C}$ $T_j = 125^\circ\text{C}$	-	-	1	μA
Gate leakage current, forward	I_{GSSF}	$V_{GS}=20\text{V}, V_{DS}=0\text{V}$	-	-	500	nA
Drain-source on-state resistance	$R_{DS(on)}$	$V_{GS}=10\text{ V}, I_D=20\text{A}$ $T_j = 25^\circ\text{C}$	-	21	25	$\text{m}\Omega$
Dynamic characteristics						
Input capacitance	C_{iss}	$V_{DS}= 100\text{V}, V_{GS}= 0\text{V},$	-	2470	-	pF
Output capacitance	C_{oss}	$f = 1\text{ MHz}$	-	73	-	
Reverse transfer capacitance	C_{rss}		-	4	-	
Turn-on delay time	$t_{d(on)}$	$V_{DD} = 100\text{V}, I_D = 30\text{A}$	-	11	-	ns
Rise time	t_r	$R_G = 4.7\Omega, V_{GS}=10\text{V}$	-	10	-	
Turn-off delay time	$t_{d(off)}$		-	53	-	
Fall time	t_f		-	4	-	
Gate charge characteristics						
Gate to source charge	Q_{gs}	$V_{DD}=160\text{V}, I_D=30\text{A},$	-	12	-	nC
Gate to drain charge	Q_{gd}	$V_{GS}=0\text{ to }10\text{V}$	-	10	-	
Gate charge total	Q_g		-	41	-	
Gate plateau voltage	$V_{plateau}$		-	5.0	-	V
Reverse diode characteristics						
Diode forward voltage	V_{SD}	$V_{GS}=0\text{ V}, I_F=30\text{A}$	-	-	1.2	V
Reverse recovery time	t_{rr}	$V_R=50\text{V}, I_F=30\text{A},$	-	198	-	ns
Reverse recovery charge	Q_{rr}	$di_F/dt=100\text{A}/\mu\text{s}$	-	1.1	-	μC
Peak reverse recovery current	I_{rrm}		-	11	-	A

Notes:

- Limited by $T_{j\text{max}}$. Maximum duty cycle $D=0.5$.
- Repetitive rating: pulse width limited by maximum junction temperature.
- $I_{AS} = 2\text{A}, V_{DD} = 50\text{V}, R_G = 25\Omega$, starting $T_j = 25^\circ\text{C}$.

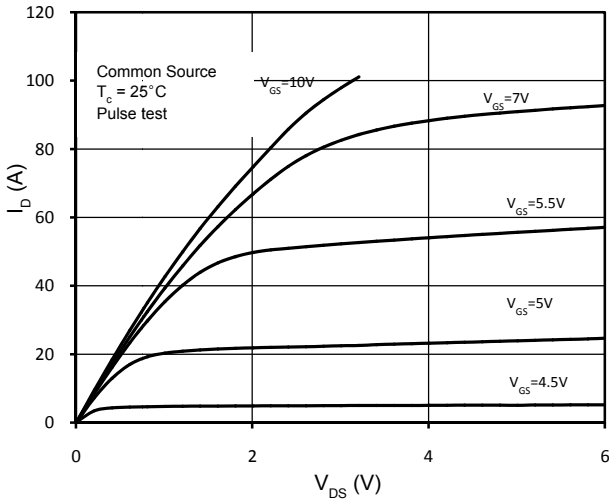


Figure 1. On-Region Characteristics

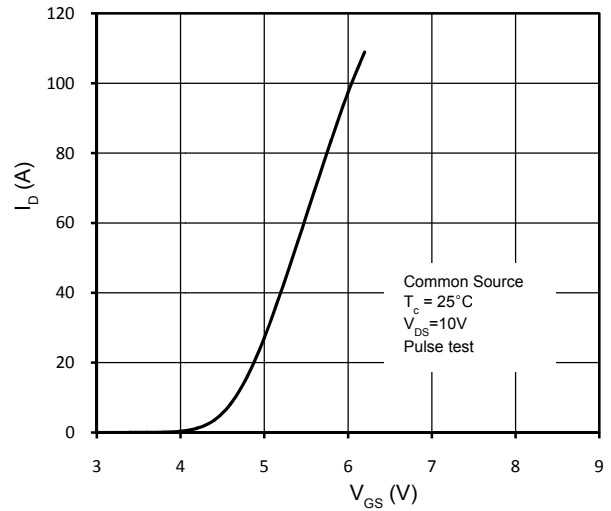


Figure 2. Transfer Characteristics

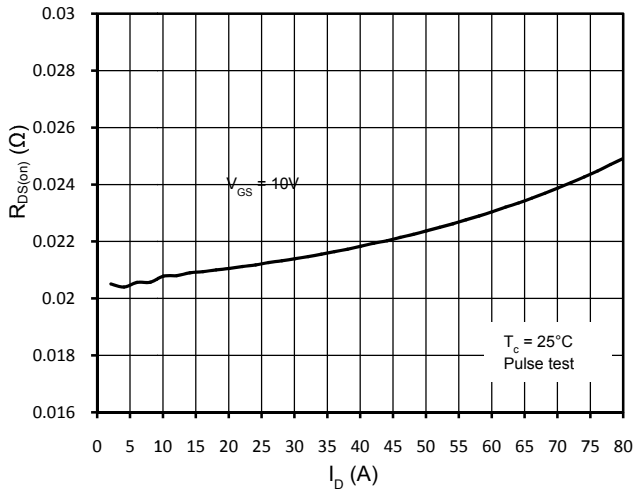


Figure 3. Static Drain-Source On Resistance

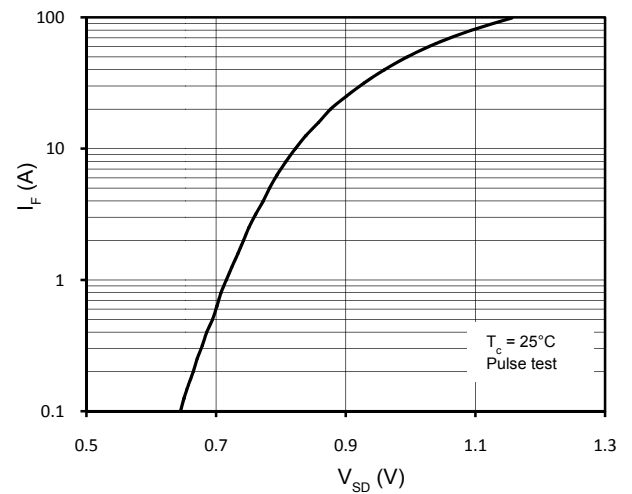


Figure 4. Body-Diode Forward Characteristics

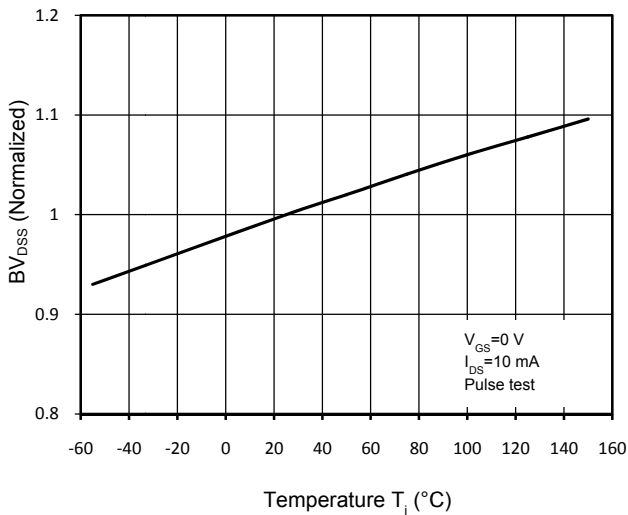


Figure 5. Normalized $BV_{DS(s)}$ vs. Temperature

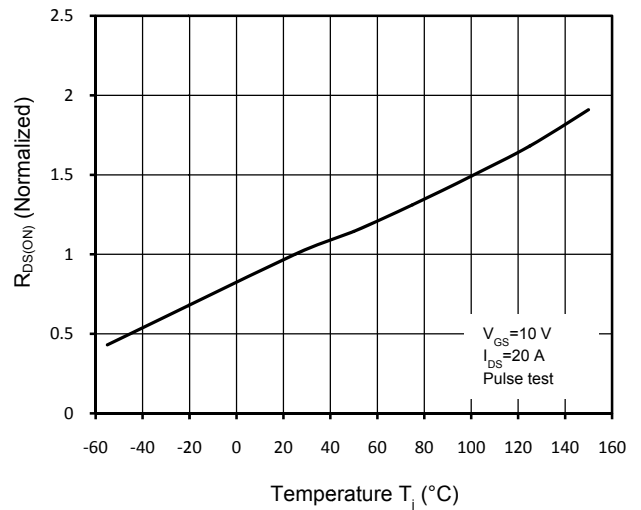


Figure 6. Normalized $R_{DS(on)}$ vs. Temperature

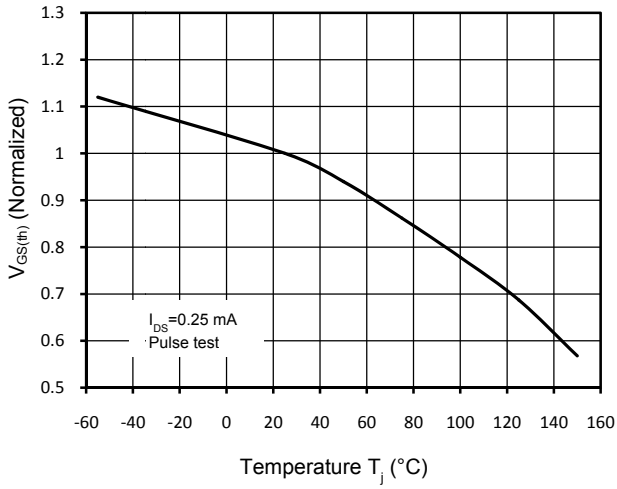


Figure 7. Threshold Voltage vs. Temperature

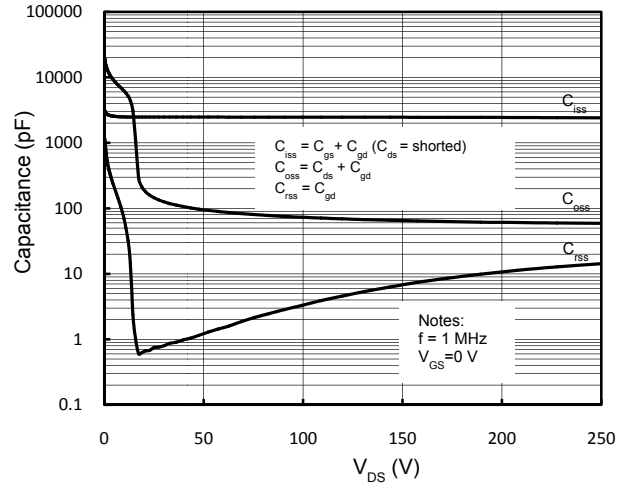


Figure 8. Capacitance Characteristics

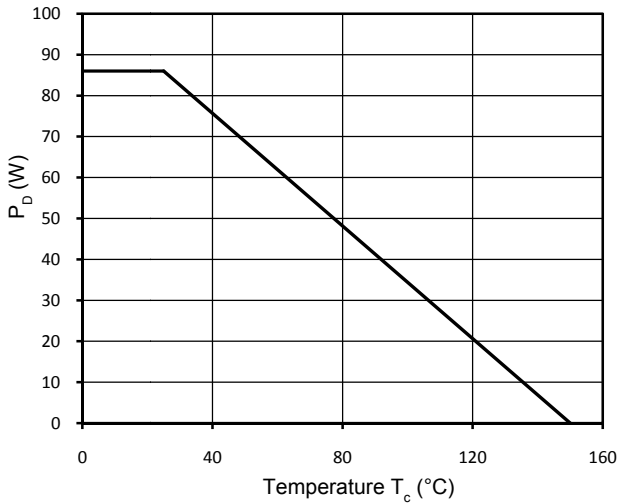


Figure 9. Power Dissipation

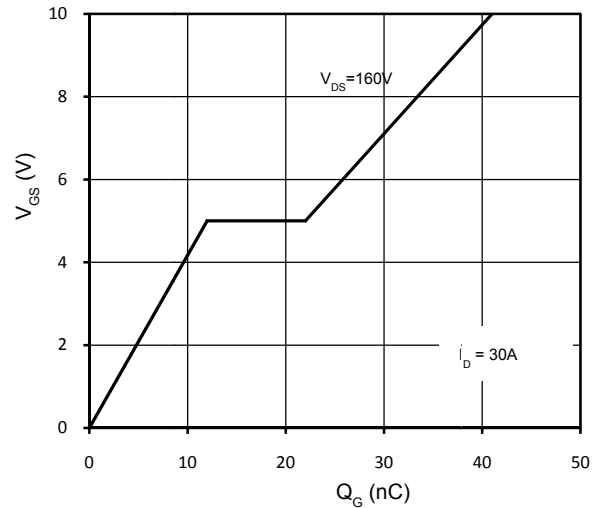


Figure 10. Gate Charge Characteristics

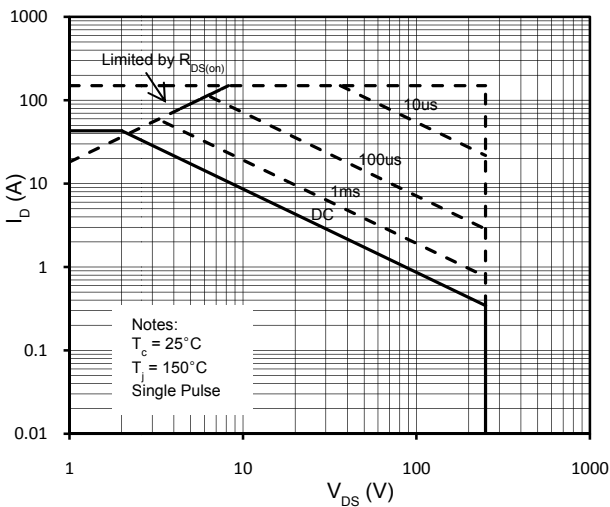


Figure 11. Maximum Safe Operating Area

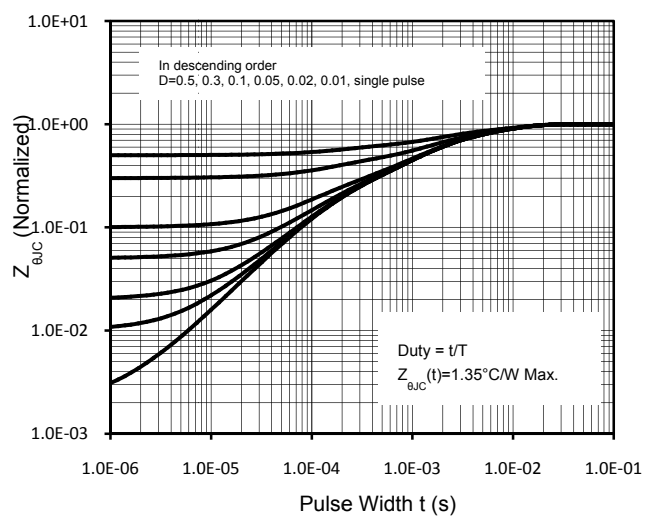
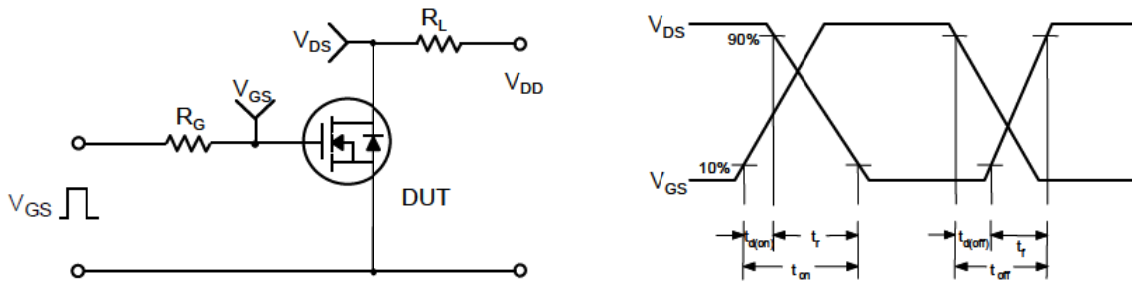


Figure 12. Transient Thermal Response Curve

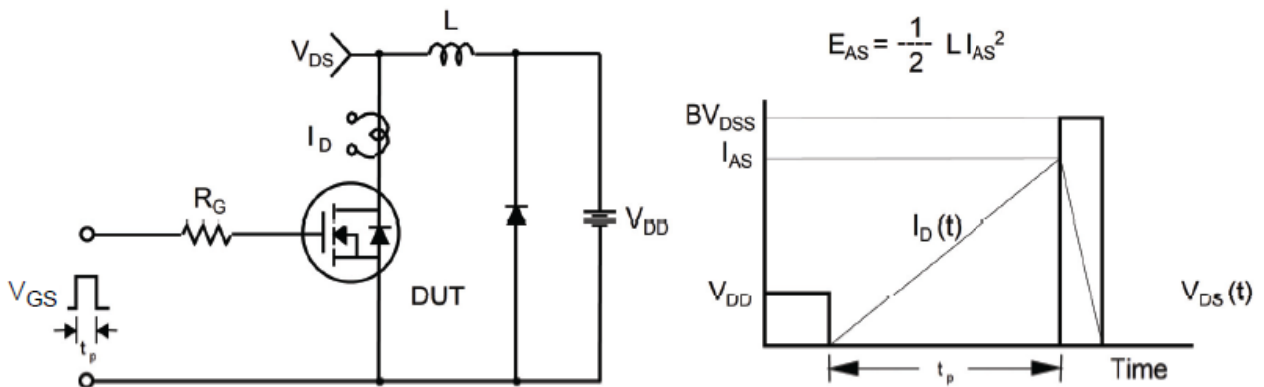
Gate Charge Test Circuit & Waveform



Switching Test Circuit & Waveforms

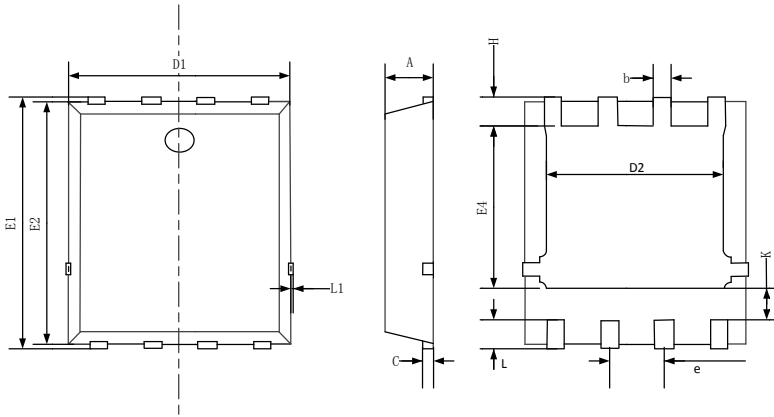


Unclamped Inductive Switching Test Circuit & Waveforms



Mechanical Dimensions for PDFN 5x6

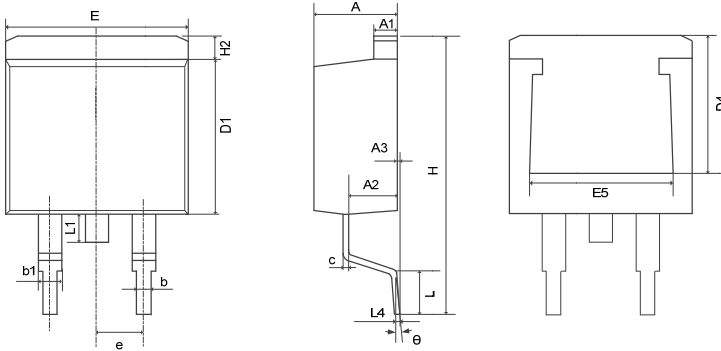
COMMON DIMENSIONS



SYMBOL	MM	
	MIN	MAX
A	1.0	1.2
b	0.3	0.5
C	0.15	0.35
D1	5.0	5.4
D2	3.8	4.3
E1	5.95	6.35
E2	5.66	6.06
E4	3.52	3.92
e	1.17	1.37
H	0.4	0.6
K	1.15	1.6
L	0.3	0.7
L1		0.12

Mechanical Dimensions for TO-263

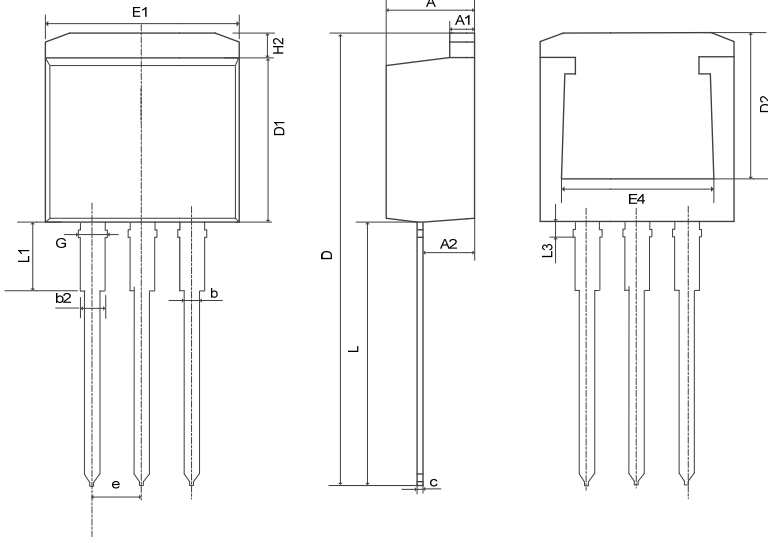
COMMON DIMENSIONS



SYMBOL	MM	
	MIN	MAX
A	4.37	4.89
A1	1.17	1.42
A2	2.19	2.89
b	0.70	0.96
b1	1.17	1.47
c	0.30	0.60
D1	8.45	9.35
D4	6.60	—
E	9.80	10.40
E5	7.06	—
e	2.54BSC	
H	14.70	16.00
H2	1.07	1.47
L	2.00	2.70
L1	1.15	1.75
L4	0.25BSC	
θ	0°	9°

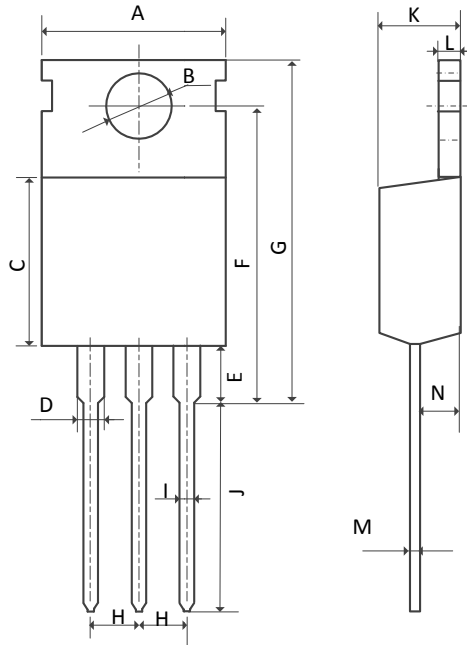
Mechanical Dimensions for TO-262

COMMON DIMENSIONS



SYMBOL	MM	
	MIN	MAX
A	4.37	4.90
A1	1.17	1.42
A2	2.49	2.89
b	0.71	0.96
b2	1.07	1.47
c	0.28	0.53
D	23.20	24.02
D1	8.45	8.90
D2	6.00	—
E1	9.86	10.40
E4	7.06	—
e	2.54BSC	
G	1.25	1.50
H2	—	1.50
L	13.33	14.16
L1	3.50	4.00
L3	1.28	1.58

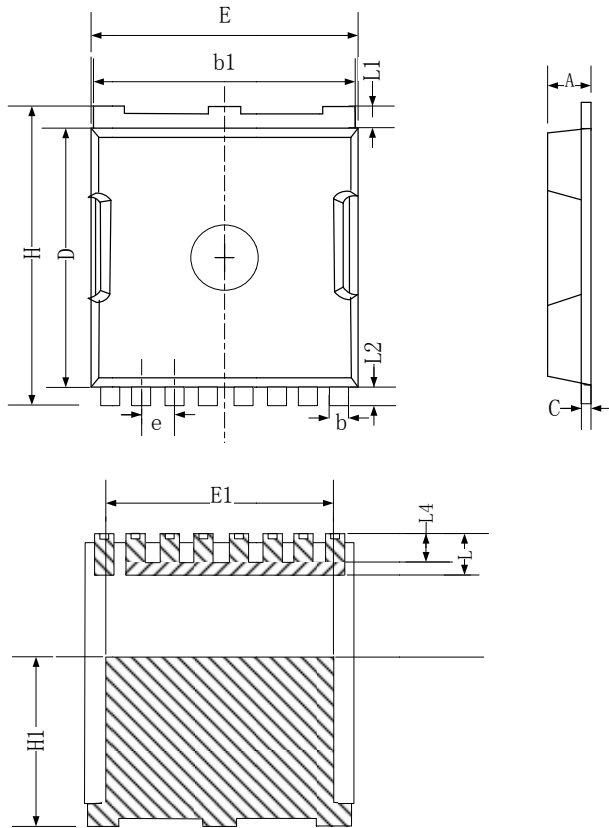
Mechanical Dimensions for TO-220



COMMON DIMENSIONS

SYMBOL	MM	
	MIN	MAX
A	9.70	10.30
B	3.40	3.80
C	8.80	9.40
D	1.17	1.47
E	2.60	3.50
F	15.10	16.90
G	19.60MAX	
H	2.54REF	
I	0.70	0.95
J	9.25	11.00
K	4.30	4.77
L	1.20	1.45
M	0.40	0.65
N	2.20	2.60

Mechanical Dimensions for TO-LL

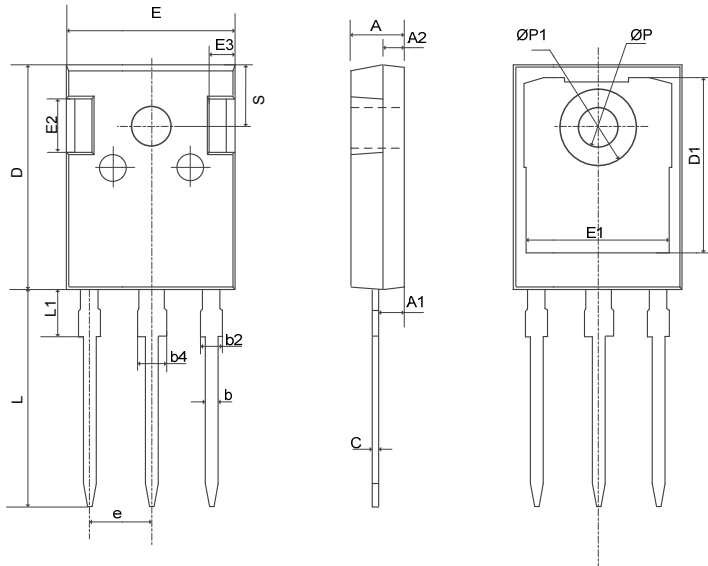


COMMON DIMENSIONS

SYMBOL	MM	
	MIN	MAX
A	2.15	2.45
b	0.7	0.95
b ₁	9.6	9.95
C	0.4	0.6
D	10.1	10.6
E	9.6	10.1
E ₁	7.9	8.5
e	1.20BSC	
H	11.38	11.88
H ₁	6.65	7.2
L	1.4	2
L ₁	0.5	0.9
L ₂	0.48	0.72
L ₄	1	1.3

Mechanical Dimensions for TO-247

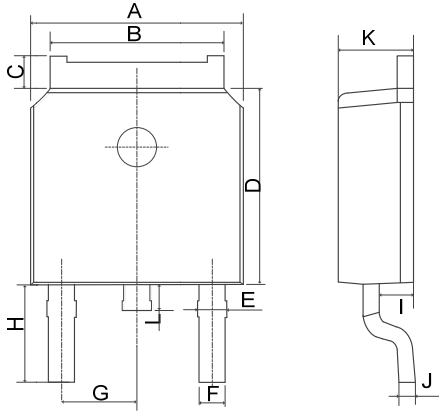
COMMON DIMENSIONS



SYMBOL	MM	
	MIN	MAX
A	4.80	5.21
A1	2.21	2.61
A2	1.85	2.16
b	1.07	1.36
b2	1.91	2.41
b4	2.87	3.38
c	0.51	0.75
D	20.70	21.30
D1	16.25	17.65
E	15.50	16.13
E1	12.38	13.60
E2	3.68	5.20
E3	1.00	2.70
e	5.44BSC	
L	19.62	20.32
L1	—	4.40
ØP	3.40	3.80
ØP1	—	7.30
S	6.15BSC	

Mechanical Dimensions for TO-252

COMMON DIMENSIONS

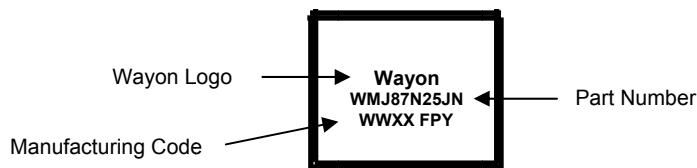


SYMBOL	MM	
	MIN	MAX
A	6.40	6.80
B	5.13	5.50
C	0.88	1.28
D	5.90	6.22
E	0.68	1.10
F	0.68	0.91
G	2.29REF	
H	2.90REF	
I	0.85	1.17
J	0.51REF	
K	2.10	2.50
L	0.40	1.00

Ordering Information

Part	Package	Marking	Packing method
WMB87N25JN	PDFN 5x6	WMB87N25JN	Tape and Reel
WMO87N25JN	TO-252	WMO87N25JN	Tape and Reel
WMK87N25JN	TO-220	WMK87N25JN	Tube
WMN87N25JN	TO-262	WMN87N25JN	Tube
WMM87N25JN	TO-263	WMM87N25JN	Tape and Reel
WMLL87N25JN	TO-LL	WMLL87N25JN	Tape and Reel
WMJ87N25JN	TO-247	WMJ87N25JN	Tube

Marking Information



Contact Information

No.1001, Shiwan(7) Road, Pudong District, Shanghai, P.R.China.201202

Tel: 86-21-50310888 Fax: 86-21-50757680 Email: market@way-on.com

WAYON website: <http://www.way-on.com>

For additional information, please contact your local Sales Representative.

 ® is registered trademarks of Wayon Corporation.

Disclaimer

WAYON reserves the right to make changes without further notice to any Products herein to improve reliability, function, or design. The Products are not designed for use in hostile environments, including, without limitation, aircraft, nuclear power generation, medical appliances, and devices or systems in which malfunction of any Product can reasonably be expected to result in a personal injury. The information given in this document shall in no event be regarded as a guarantee of conditions or characteristics. WAYON does not assume any liability for infringement of patents, copyrights, or other intellectual property rights of third parties by or arising from the use of Products or technical information described in this document.