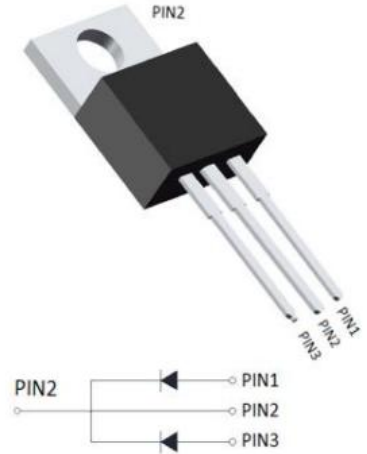


## SCHOTTKY BARRIER RECTIFIER

### Features

- 20A Schottky barrier diode
- Schottky barrier rectifier
- Excellent high temperature stability
- Low forward voltage
- High forward surge capability
- High current capability



### Mechanical Data

- Case: TO-220 molded plastic package

### Maximum Ratings (Ta=25°C Unless otherwise specified)

PARAMETER	SYMBOL	WSR15020CT	UNIT
Repetitive Peak Reverse Voltage	$V_{RRM}$	150	V
Average Rectified Output Current @60Hz -sine wave, R- load, Ta=25°C	$I_o$	10(per leg)	A
		20(total device)	
Forward Surge Current (Non-repetitive) @ 60Hz Half-sine wave, 1 cycle, Ta=25°C	$I_{FSM}$	150	A
Storage Temperature	$T_{stg}$	-55 ~+150	°C
Junction Temperature	$T_j$	-55 ~+150	°C

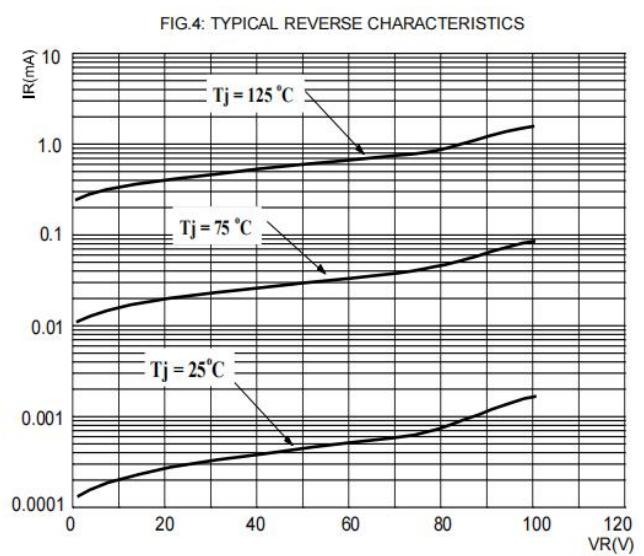
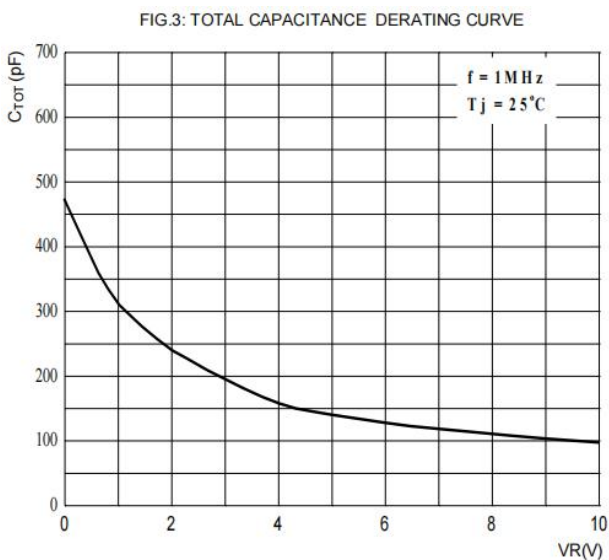
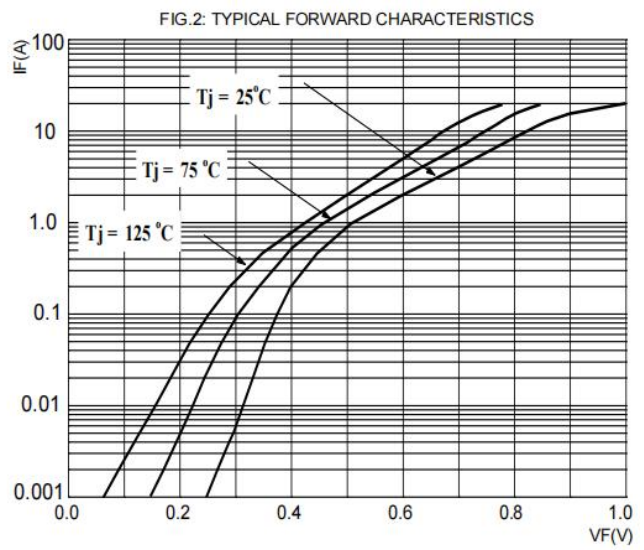
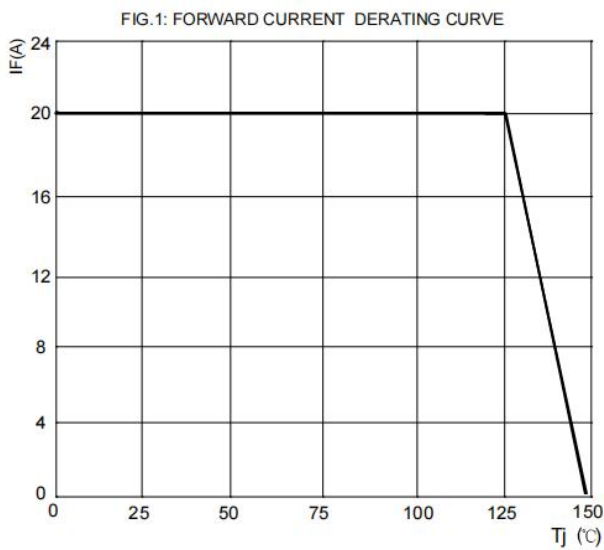
### Electrical Characteristics(Ta=25°C Unless otherwise specified)

PARAMETER	SYMBOL	TEST CONDITIONS	WSR15020CT		UNIT
			Typ	Max	
Maximum instantaneous forward voltage drop per diode	$V_F$	$I_F=10.0A$ (per leg)	0.85	0.9	V
Leakage Current	$I_R$	$V_R=V_{RRM}$ , $T_j=25^\circ C$	/	0.1	mA
		$V_R=V_{RRM}$ , $T_j=125^\circ C$	5	/	

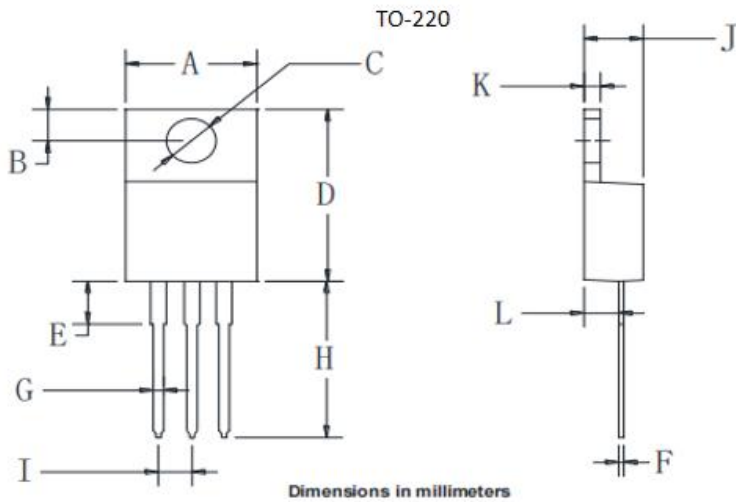
Thermal Characteristics (Ta=25°C Unless otherwise specified)

PARAMETER		SYMBOL	WSR15020CT	UNIT
Thermal Resistance	Between Junction to Case	$R_{\theta J-C}$	2.0	°C/W

Typical Characteristics



Outline Dimensions



TO-220		
Dim	Min	Max
A	9.5	10.9
B	2.22	3.27
C	3.34	4.31
D	14.5	16.1
E	-	4.46
F	0.28	0.64
G	0.68	0.94
H	12.75	14.62
I	2.01	3.07
J	4.01	5.1
K	1.14	1.4
L	2.14	3.19

Marking Code

Part Number	<b>WSR15020CT</b>
Marking Code	MBR20150CT

Package Information

Quantity per tube: 50pcs

Contact Information

No.1001, Shiwan(7) Road, Pudong District, Shanghai, P.R.China.201207

Tel: 021-68969993 Fax: 86-21-50757680 Email: market@way-on.com

WAYON website: <http://www.way-on.com>

For additional information, please contact your local Sales Representative.

**WAYON**® is registered trademarks of Wayon Corporation.

*Specifications are subject to change without notice.  
The device characteristics and parameters in this data sheet can and do vary in different applications and actual device performance may vary over time.  
Users should verify actual device performance in their specific applications.*