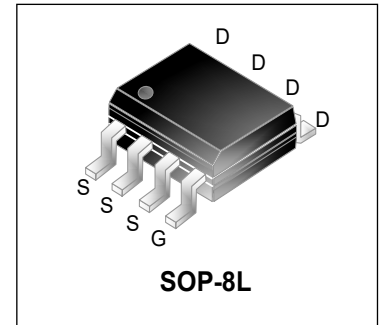


65V N-Channel Enhancement Mode Power MOSFET

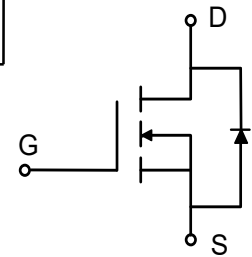
Description

WMS048NV6LG4 uses Wayon's 4th generation power trench MOSFET technology that has been especially tailored to minimize the on-state resistance and yet maintain superior switching performance. This device is well suited for high efficiency fast switching applications.



Features

- $V_{DS} = 65V$, $I_D = 18.5A$
 $R_{DS(on)} < 5.6m\Omega @ V_{GS} = 10V$
 $R_{DS(on)} < 7.5m\Omega @ V_{GS} = 10V$
- Green Device Available
- 100% EAS Guaranteed
- Low $R_{ds(on)}$



Applications

- Synchronous Rectification
- DC/DC Converter

Absolute Maximum Ratings ($T_A = 25^\circ C$, unless otherwise noted)

Parameter		Symbol	Value	Unit
Drain-Source Voltage		V_{DS}	65	V
Gate-Source Voltage		V_{GS}	± 20	V
Continuous Drain Current	$T_A = 25^\circ C$	I_D	18.5	A
	$T_A = 100^\circ C$		12	
Pulsed Drain Current ¹		I_{DM}	74	A
Single Pulse Avalanche Energy ²		EAS	135.2	mJ
Total Power Dissipation	$T_A = 25^\circ C$	P_D	3.1	W
Operating Junction and Storage Temperature Range		T_J, T_{STG}	-55 to 150	$^\circ C$

Thermal Characteristics

Parameter	Symbol	Value	Unit
Thermal Resistance from Junction-to-Ambient ³	$R_{\theta JA}$	40.3	$^\circ C/W$

Electrical Characteristics (T_J = 25°C, unless otherwise noted)

Parameter		Symbol	Test Conditions	Min.	Typ.	Max.	Unit
Static Characteristics							
Drain-Source Breakdown Voltage		V _{(BR)DSS}	V _{GS} = 0V, I _D = 250μA	65	-	-	V
Gate-body Leakage Current		I _{GSS}	V _{DS} = 0V, V _{GS} = ±20V	-	-	±100	nA
Zero Gate Voltage Drain Current	T _J =25°C	I _{DSS}	V _{DS} = 65V, V _{GS} = 0V	-	-	1	μA
	T _J =100°C			-	-	100	
Gate-Threshold Voltage		V _{GS(th)}	V _{DS} = V _{GS} , I _D = 250μA	1.0	1.6	2.2	V
Drain-Source On-Resistance ⁴		R _{DS(on)}	V _{GS} = 10V, I _D = 10A	-	4.5	5.6	mΩ
			V _{GS} = 4.5V, I _D = 8A	-	5.8	7.5	
Forward Transconductance ⁴		g _{fs}	V _{DS} = 10V, I _D = 10A	-	40	-	S
Dynamic Characteristics⁵							
Input Capacitance		C _{iss}	V _{DS} = 30V, V _{GS} = 0V, f = 1MHz	-	2180	-	pF
Output Capacitance		C _{oss}		-	658	-	
Reverse Transfer Capacitance		C _{rss}		-	33	-	
Gate Resistance		R _g	f = 1MHz	-	2	-	Ω
Switching Characteristics⁵							
Total Gate Charge		Q _g	V _{GS} = 10V, V _{DS} = 30V, I _D = 10A	-	35	-	nC
Gate-Source Charge		Q _{gs}		-	6.6	-	
Gate-Drain Charge		Q _{gd}		-	8.4	-	
Turn-On Delay Time		t _{d(on)}	V _{GS} = 10V, V _{DD} = 30V, R _G = 3Ω, I _D = 10A	-	9.4	-	ns
Rise Time		t _r		-	8.4	-	
Turn-Off Delay Time		t _{d(off)}		-	32.5	-	
Fall Time		t _f		-	12.5	-	
Body Diode Reverse Recovery Time		t _{rr}	I _F = 10A, di/dt = 100A/μs	-	50	-	ns
Body Diode Reverse Recovery Charge		Q _{rr}		-	20	-	nC
Drain-Source Body Diode Characteristics							
Diode Forward Voltage ⁴		V _{SD}	I _S = 10A, V _{GS} = 0V	-	-	1.2	V
Continuous Source Current		I _S	T _A = 25°C	-	-	18.5	A

Notes:

1. Repetitive rating, pulse width limited by junction temperature T_{J(MAX)} = 150°C
2. The EAS data shows Max. rating. The test condition is V_{DD} = 25V, V_{GS} = 10V, L = 0.4mH, I_{AS} = 26A.
3. The data tested by surface mounted on a 1 inch² FR-4 board with 2OZ copper, The value in any given application depends on the user's specific board design.
4. The data tested by pulsed, pulse width ≤ 300us, duty cycle ≤ 2%.
5. This value is guaranteed by design hence it is not included in the production test.

Typical Characteristics

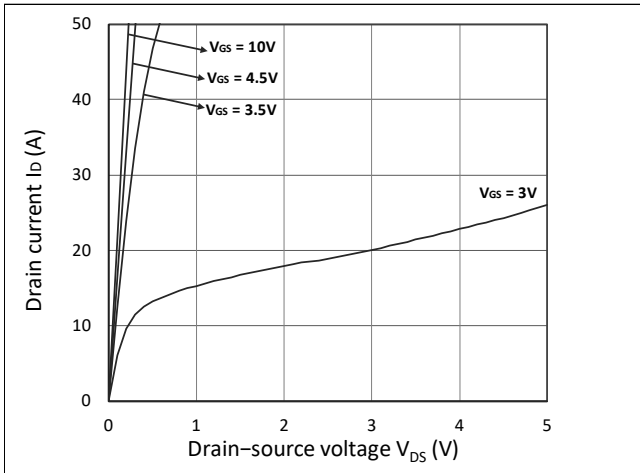


Figure 1. Output Characteristics

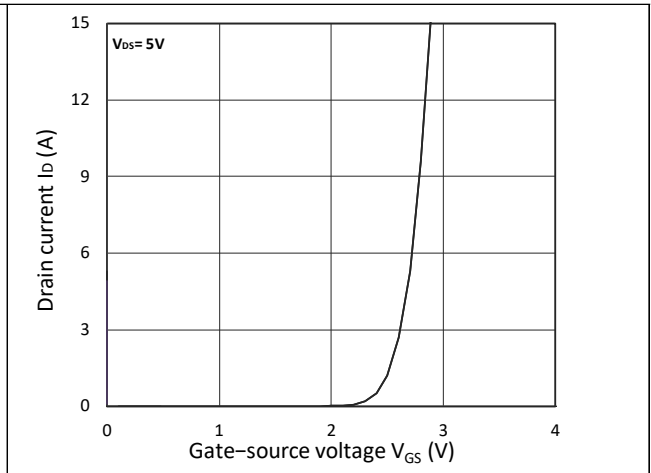


Figure 2. Transfer Characteristics

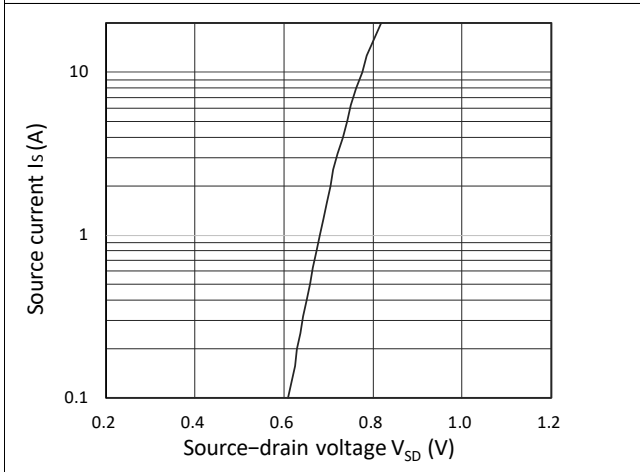


Figure 3. Forward Characteristics of Reverse

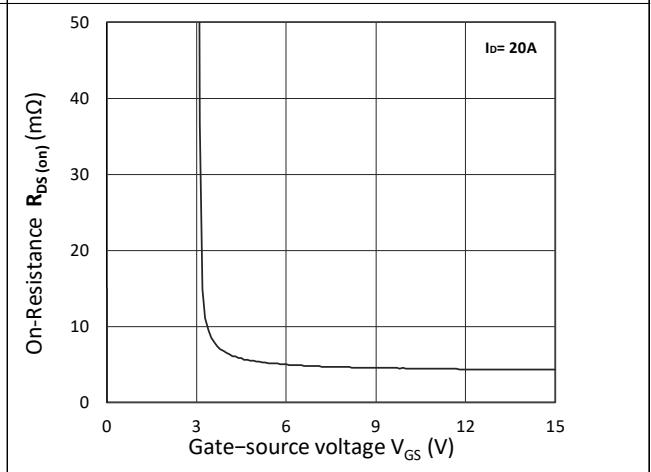


Figure 4. $R_{DS(on)}$ vs. V_{GS}

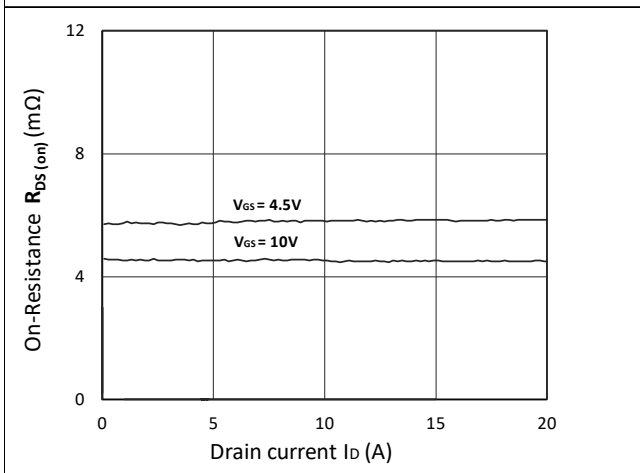


Figure 5. $R_{DS(on)}$ vs. I_D

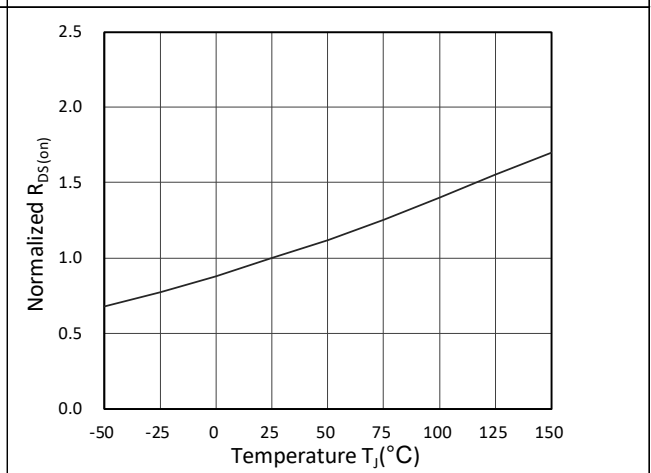


Figure 6. Normalized $R_{DS(on)}$ vs. Temperature

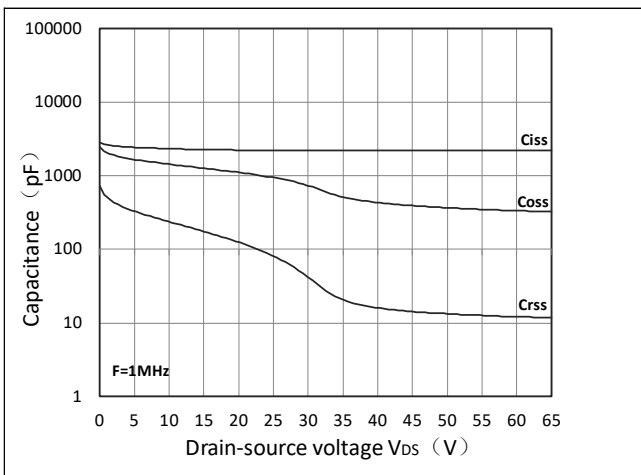


Figure 7. Capacitance Characteristics

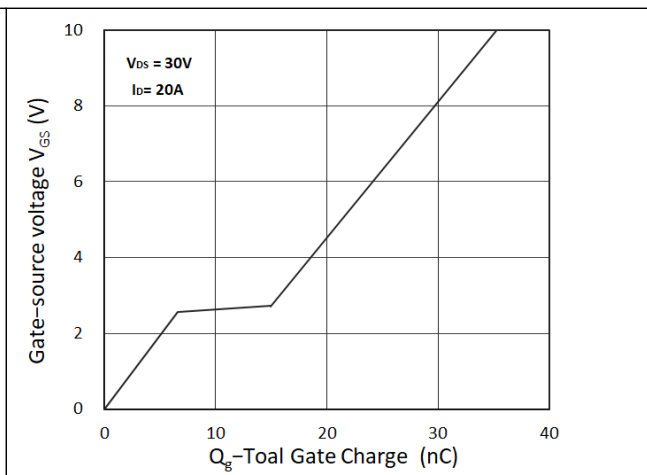


Figure 8. Gate Charge Characteristics

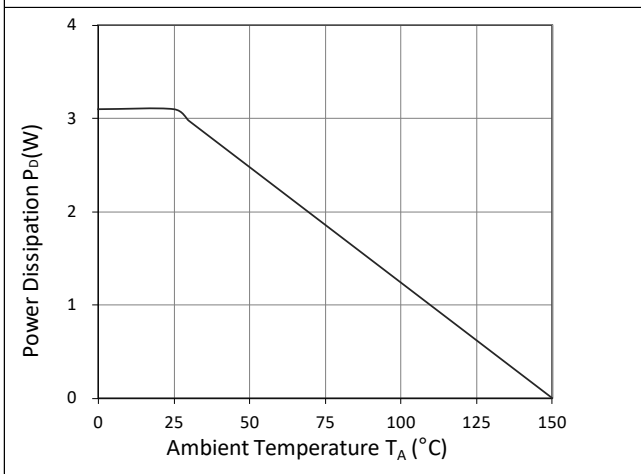


Figure 9. Power Dissipation

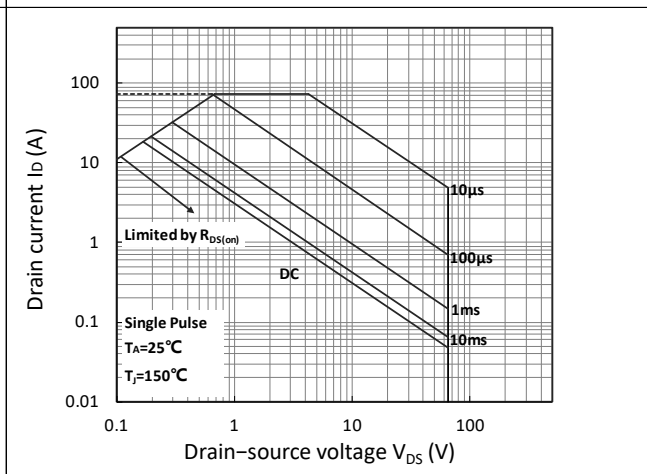


Figure 10. Safe Operating Area

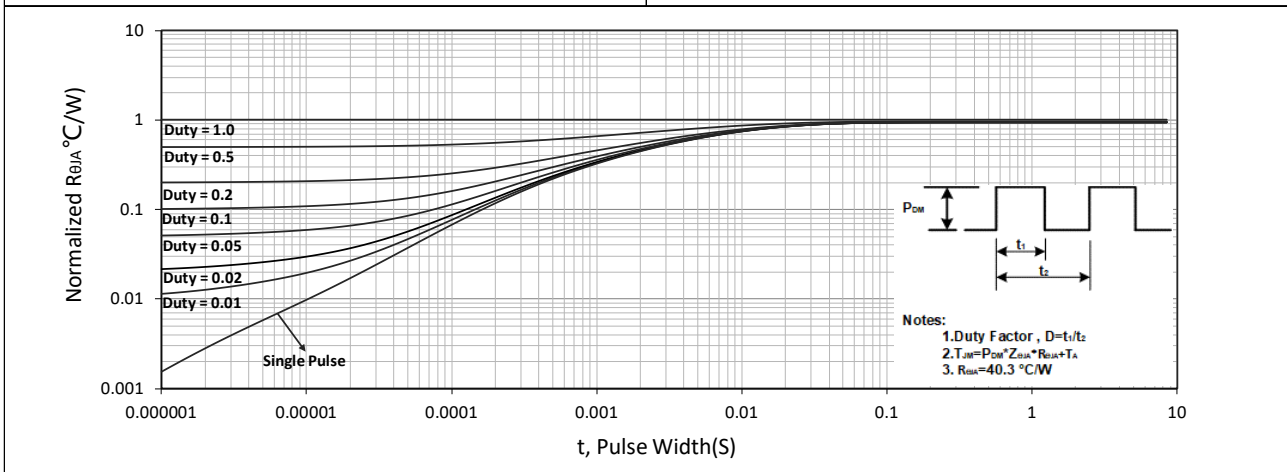


Figure 11. Normalized Maximum Transient Thermal Impedance

Test Circuit

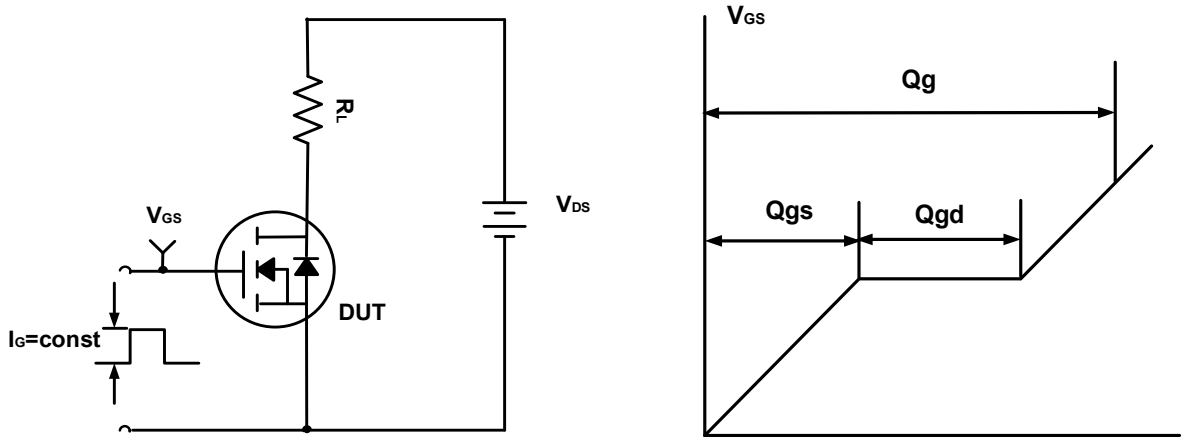


Figure A. Gate Charge Test Circuit & Waveforms

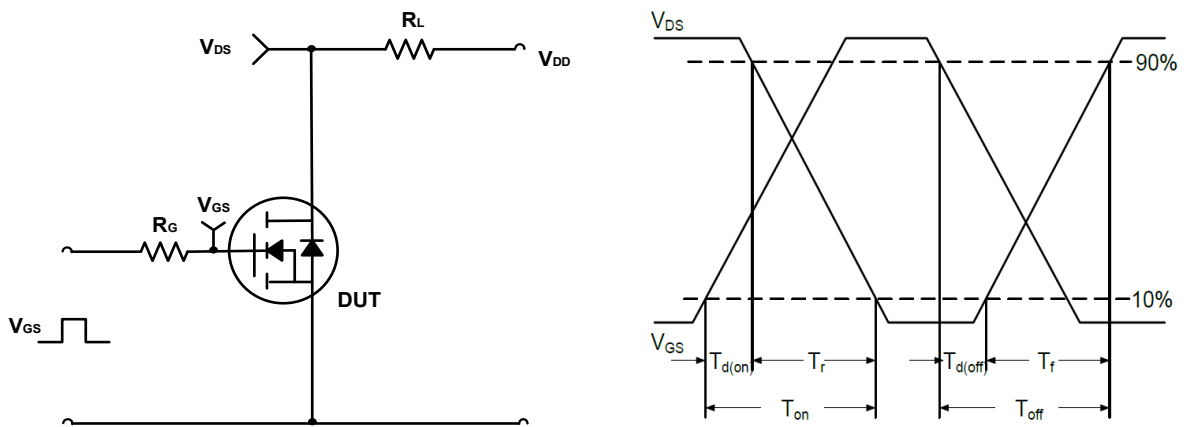


Figure B. Switching Test Circuit & Waveforms

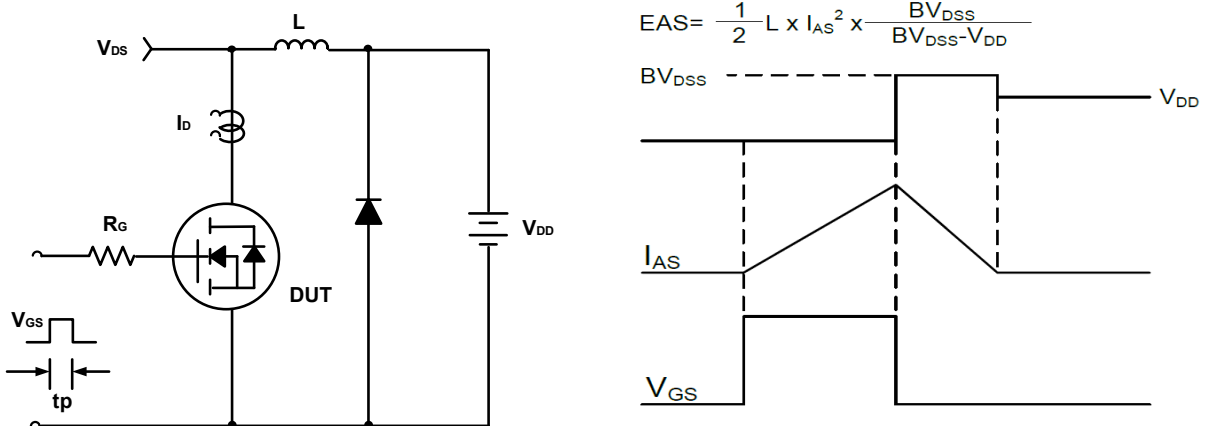
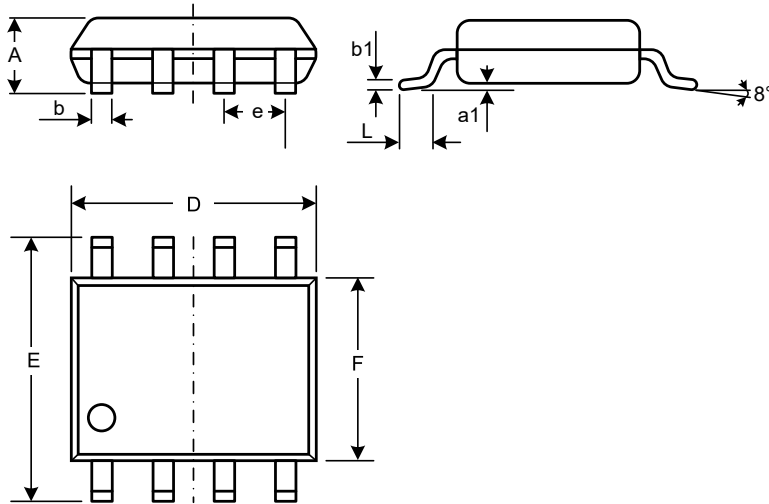


Figure C. Unclamped Inductive Switching Circuit & Waveforms

Mechanical Dimensions for SOP-8L



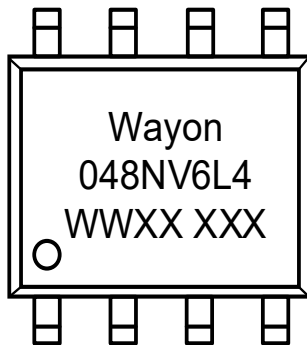
COMMON DIMENSIONS

SYMBOL	MM	
	MIN	MAX
A	1.35	1.75
a1	0.05	0.25
b	0.31	0.51
b1	0.16	0.25
D	4.70	5.15
E	5.75	6.25
e	1.07	1.47
F	3.70	4.10
L	0.40	1.27

Ordering Information

Part	Package	Marking	Packing method
WMS048NV6LG4	SOP-8L	048NV6L4	Tape and Reel

Marking Information



048NV6L4= Device code

WWXX XXX= Date code


Contact Information.

No.1001, Shiwan(7) Road, Pudong District, Shanghai, P.R.China.201207

Tel: 86-21-50310888 Fax: 86-21-50757680 Email: market@way-on.com

WAYON website: <http://www.way-on.com>

For additional information, please contact your local Sales Representative.

 ® is registered trademarks of Wayon Corporation.

Disclaimer

WAYON reserves the right to make changes without further notice to any Products herein to improve reliability, function, or design. The Products are not designed for use in hostile environments, including, without limitation, aircraft, nuclear power generation, medical appliances, and devices or systems in which malfunction of any Product can reasonably be expected to result in a personal injury. The information given in this document shall in no event be regarded as a guarantee of conditions or characteristics. WAYON does not assume any liability for infringement of patents, copyrights, or other intellectual property rights of third parties by or arising from the use of products or technical information described in this document.