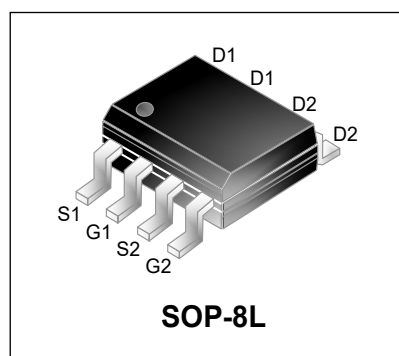


## N+P Dual Channel Enhancement MOSFET

### Features

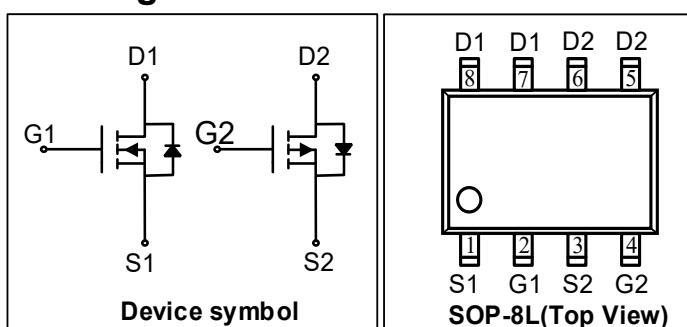
- Way-on Small Signal MOSFETs
- N - Channel:
  - $V_{DS} = 30V, I_D = 5.8A$
  - $R_{DS(on)} < 36\ m\Omega @ V_{GS} = 10V$
  - $R_{DS(on)} < 45\ m\Omega @ V_{GS} = 4.5V$
- P - Channel:
  - $V_{DS} = -30V, I_D = -6A$
  - $R_{DS(on)} < 24\ m\Omega @ V_{GS} = -10V$
  - $R_{DS(on)} < 35\ m\Omega @ V_{GS} = -4.5V$
- Trench LV MOSFET Technology



### Mechanical Characteristics

- SOP-8L Package
- Marking : Making Code
- RoHS Compliant

### Schematic & PIN Configuration



### Absolute Maximum Ratings ( $T_A=25^\circ C$ unless otherwise noted)

Parameter	Symbol	Value		Unit
Drain-Source Voltage	$V_{DS}$	30	-30	V
Gate-Source Voltage	$V_{GS}$	$\pm 20$	$\pm 20$	V
Continuous Drain Current	$I_D$	5.8	-6	A
Pulsed Drain Current <sup>1</sup>	$I_{DM}$	23.2	-24	A
Power Dissipation	$P_D$	1.2		W
Operating Junction and Storage Temperature Range	$T_J, T_{STG}$	-55 to 150		$^\circ C$

### Thermal Characteristics

Parameter	Symbol	Value	Unit
Thermal Resistance from Junction to Ambient <sup>2</sup>	$R_{\theta JA}$	104	$^\circ C/W$

**Electrical Characteristics N-Channel** ( $T_J=25^\circ\text{C}$  unless otherwise noted)

Parameter	Symbol	Test Condition	Min.	Typ.	Max.	Unit
<b>Static Characteristics</b>						
Drain-Source Breakdown Voltage	$BV_{DSS}$	$V_{GS} = 0\text{ V}, I_D = 250\mu\text{A}$	30	-	-	V
Zero Gate Voltage Drain Current	$I_{DSS}$	$V_{DS} = 30\text{V}, V_{GS} = 0\text{ V}$	-	-	1	$\mu\text{A}$
Gate-Body Leakage Current	$I_{GSS}$	$V_{DS} = 0\text{ V}, V_{GS} = \pm 20\text{V}$	-	-	$\pm 100$	nA
Gate Threshold Voltage	$V_{GS(th)}$	$V_{GS} = V_{DS}, I_D = 250\mu\text{A}$	1	1.5	2.5	V
Drain-Source on-State Resistance <sup>3</sup>	$R_{DS(on)}$	$V_{GS} = 10\text{V}, I_D = 5.8\text{A}$	-	25	36	m $\Omega$
		$V_{GS} = 4.5\text{V}, I_D = 4.8\text{A}$	-	35	45	
<b>Dynamic Characteristics<sup>4</sup></b>						
Input Capacitance	$C_{iss}$	$V_{GS} = 0\text{V}, V_{DS} = 15\text{V}, f = 1\text{MHz}$	-	500	-	pF
Output Capacitance	$C_{oss}$		-	72	-	
Reverse Transfer Capacitance	$C_{rss}$		-	58	-	
<b>Switching Characteristics<sup>4</sup></b>						
Total Gate Charge	$Q_g$	$V_{DS} = 15\text{V}, V_{GS} = 4.5\text{V}, I_D = 5.8\text{A}$	-	7.5	-	nC
Gate-Source Charge	$Q_{gs}$		-	1.6	-	
Gate-Drain Charge	$Q_{gd}$		-	2.1	-	
Turn-on Delay Time	$t_{d(on)}$	$V_{DD} = 15\text{V}, V_{GS} = 10\text{V}, R_G = 3\Omega, I_D = 5.8\text{A}$	-	6.4	-	ns
Turn-on Rise Time	$t_r$		-	3.1	-	
Turn-off Delay Time	$t_{d(off)}$		-	15.0	-	
Turn-off Fall Time	$t_f$		-	2.6	-	
<b>Source-Drain Diode Characteristics</b>						
Body Diode Voltage <sup>3</sup>	$V_{SD}$	$I_S = 1\text{A}, V_{GS} = 0\text{V}$	-	-	1.2	V
Continuous Source Current	$I_S$		-	-	5.8	A

**Notes:**

1. Repetitive rating, pulse width limited by junction temperature  $T_{J(MAX)} = 150^\circ\text{C}$ .
2. The data tested by surface mounted on a 1 inch<sup>2</sup> FR-4 board with 2OZ copper, The value in any given application depends on the user's specific board design.
3. Pulse Test: Pulse width  $\leq 300\mu\text{s}$ , duty cycle  $\leq 2\%$ .
4. This value is guaranteed by design hence it is not included in the production test.

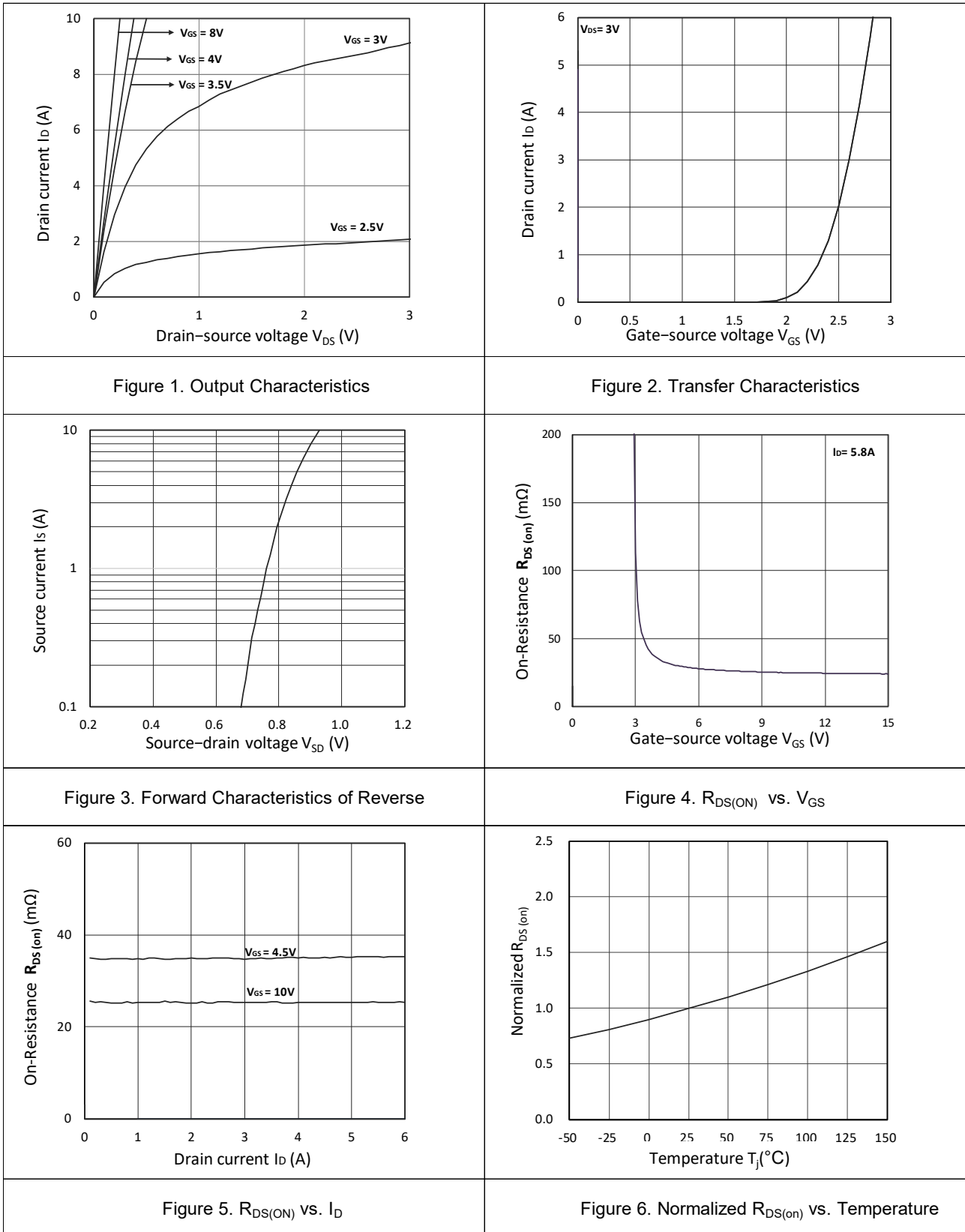
**Electrical Characteristics P-Channel ( $T_J=25^\circ\text{C}$  unless otherwise noted)**

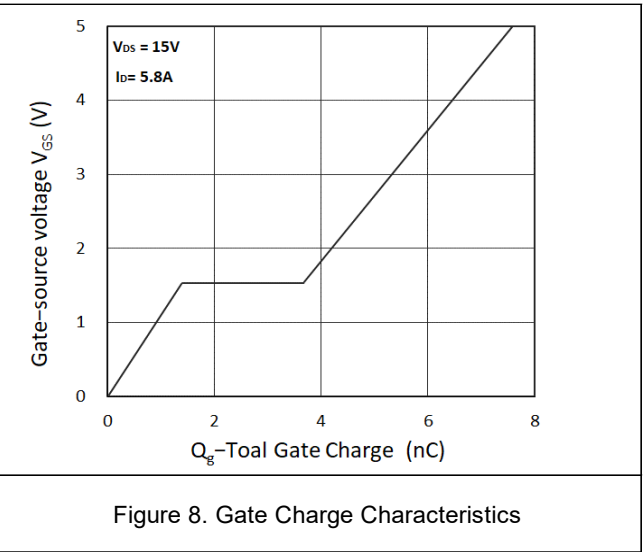
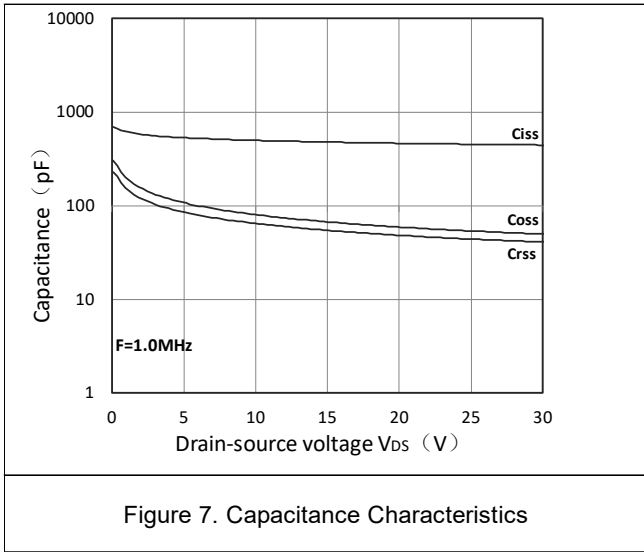
Parameter	Symbol	Test Condition	Min.	Typ.	Max.	Unit
<b>Static Characteristics</b>						
Drain-Source Breakdown Voltage	$BV_{DSS}$	$V_{GS} = 0V, I_D = -250\mu A$	-30	-	-	V
Gate-body Leakage Current	$I_{GSS}$	$V_{DS} = 0V, V_{GS} = \pm 20V$	-	-	$\pm 100$	nA
Zero Gate Voltage Drain Current	$I_{DSS}$	$V_{DS} = -30V, V_{GS} = 0V$	-	-	-1	$\mu A$
Gate Threshold Voltage	$V_{GS(th)}$	$V_{DS} = V_{GS}, I_D = -250\mu A$	-1	-1.5	-3	V
Drain-Source On-state Resistance <sup>3</sup>	$R_{DS(on)}$	$V_{GS} = -10V, I_D = -6A$	-	17	24	m $\Omega$
		$V_{GS} = -4.5V, I_D = -5A$	-	23	35	
<b>Dynamic Characteristics<sup>4</sup></b>						
Input Capacitance	$C_{iss}$	$V_{GS} = 0V, V_{DS} = -15V,$ $f = 1MHz$	-	1550	-	pF
Output Capacitance	$C_{oss}$		-	200	-	
Reverse Transfer Capacitance	$C_{rss}$		-	175	-	
<b>Switching Characteristics<sup>4</sup></b>						
Total Ggate Charge	$Q_g$	$V_{GS} = -10V, I_D = -6A,$ $V_{DS} = -15V$	-	30	-	nC
Gate-Source Charge	$Q_{gs}$		-	5.5	-	
Gate-Drain Charge	$Q_{gd}$		-	8	-	
Turn-On Delay Time	$t_{d(on)}$	$V_{GS} = -10V, V_{DD} = -15V,$ $R_G = 3\Omega, I_D = -6A$	-	10	-	ns
Turn-On Rise Time	$t_r$		-	15	-	
Turn-Off Delay Time	$t_{d(off)}$		-	110	-	
Turn- Off Fall Time	$t_f$		-	70	-	
<b>Source-Drain Diode characteristics</b>						
Body Diode Voltage <sup>3</sup>	$V_{DS}$	$I_s = -1A, V_{GS} = 0V$	-	-	-1.2	V
Continuous Source Current	$I_s$		-	-	-6	A

**Notes:**

1. Repetitive rating, pulse width limited by junction temperature  $T_{J(MAX)}=150^\circ\text{C}$ .
2. The data tested by surface mounted on a 1 inch<sup>2</sup> FR-4 board with 2OZ copper, The value in any given application depends on the user's specific board design.
3. Pulse Test: Pulse width $\leq 300\mu s$ , duty cycle $\leq 2\%$ .
4. This value is guaranteed by design hence it is not included in the production test.

Typical Characteristics: N-Channel





Typical Characteristics: P-Channel

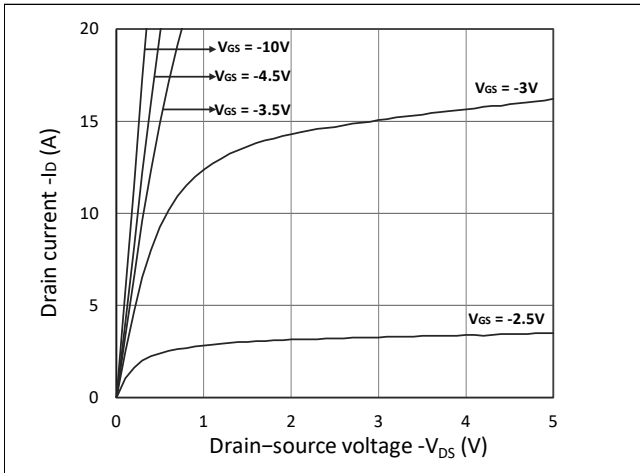


Figure 1. Output Characteristics

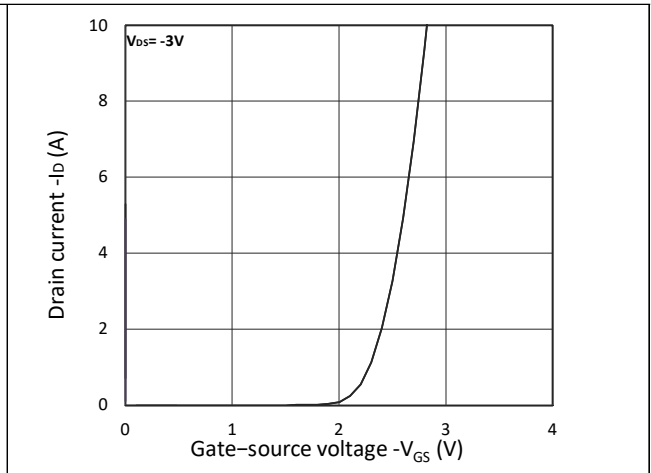


Figure 2. Transfer Characteristics

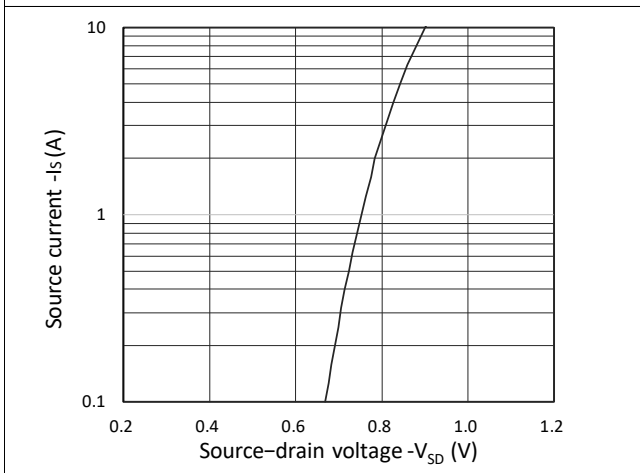


Figure 3. Forward Characteristics of Reverse

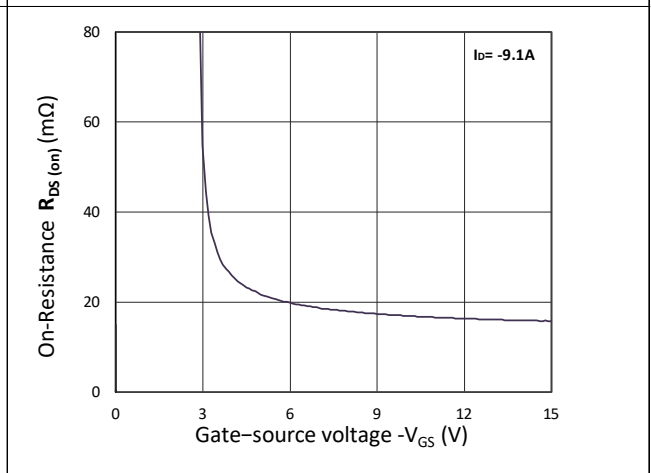


Figure 4.  $R_{DS(on)}$  vs.  $V_{GS}$

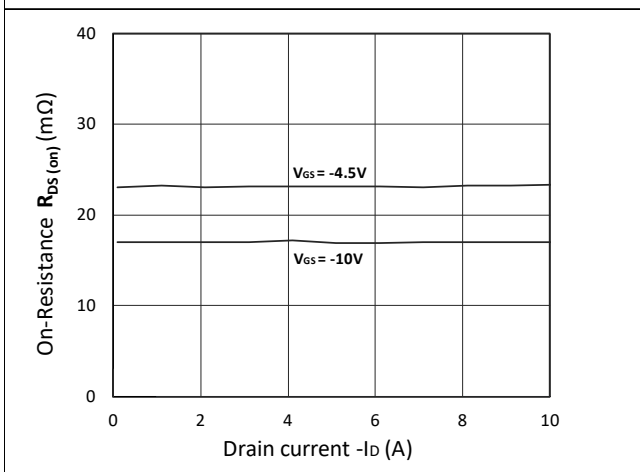


Figure 5.  $R_{DS(on)}$  vs.  $I_D$

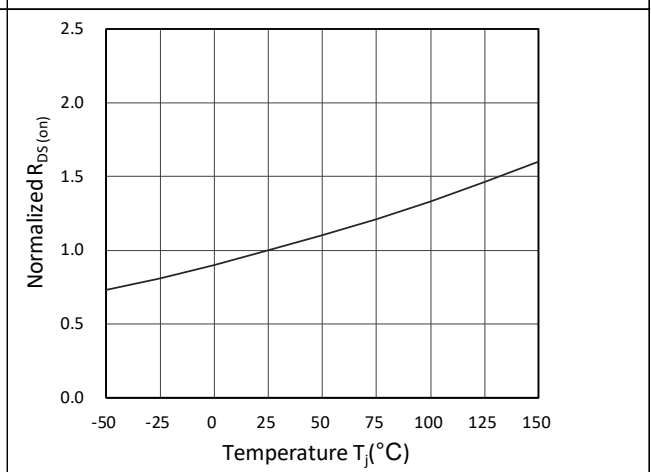


Figure 6. Normalized  $R_{DS(on)}$  vs. Temperature

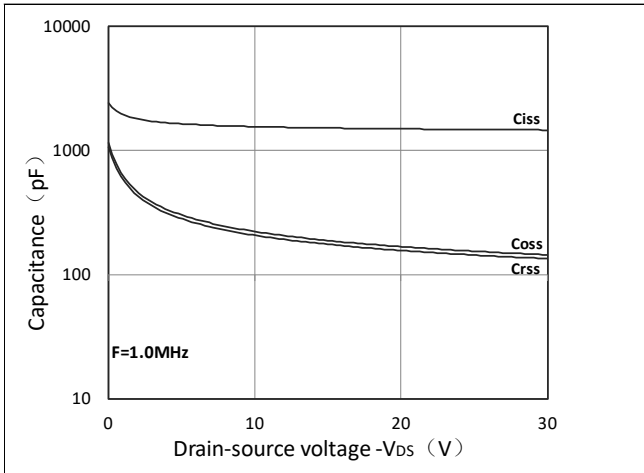


Figure 7. Capacitance Characteristics

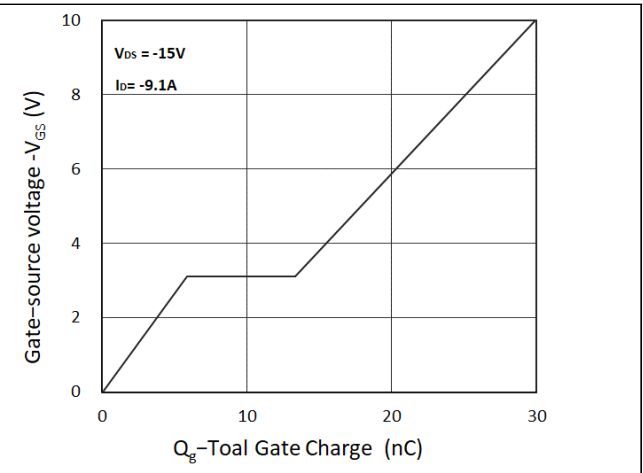


Figure 8. Gate Charge Characteristics

## Outline Drawing – SOP-8L

### PACKAGE OUTLINE

**SOP-8L**

SYMBOL	MILLIMETER		INCHES	
	MIN	MAX	MIN	MAX
A	1.35	1.75	0.053	0.069
a1	0.05	0.25	0.002	0.010
b	0.31	0.51	0.012	0.020
b1	0.16	0.25	0.006	0.010
D	4.70	5.15	0.185	0.203
E	5.75	6.25	0.226	0.246
e	1.07	1.47	0.042	0.058
F	3.70	4.10	0.146	0.161
L	0.40	1.27	0.016	0.050

**Notes**

1. Dimensioning and tolerances per ANSI Y14.5M, 1985.
2. Controlling Dimension: Inches
3. Dimensions are exclusive of mold flash and metal burrs.

### Marking Codes

Part Number	WM03DH60A
Marking Code	

### Package Information

Qty: 4k/Reel

### CONTACT INFORMATION

No.1001, Shiwan (7) Road, Pudong District, Shanghai, P.R.China.201207  
 Tel: 86-21-68969993 Fax: 86-21-50757680 Email: [market@way-on.com](mailto:market@way-on.com)  
 WAYON website: <http://www.way-on.com>  
 For additional information, please contact your local Sales Representative.

**WAYON** ® is registered trademark of Wayon Corporation.

Specifications are subject to change without notice.  
 The device characteristics and parameters in this data sheet can and do vary in different applications and actual device performance may vary over time.  
 Users should verify actual device performance in their specific applications.